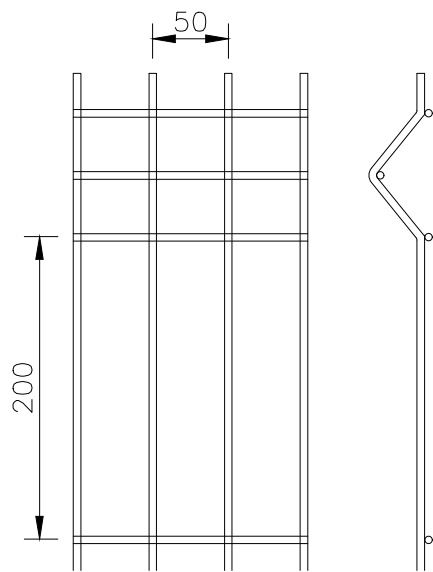
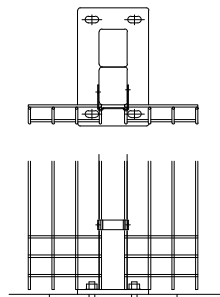


FIXING DETAILS



BASEPLATE SLOTTED FOR M12 CHEMICAL FIXINGS



OPTIONAL BASEPLATED POSTS
(SCALE 1:16)

NOTES. MESH DETAILS (SCALE 1:5)

ALL DIMENSIONS ARE IN mm (U.N.O)
GAPS UNDERNEATH GATES & FENCING ARE NOMINAL DUE TO GROUND LEVELS.

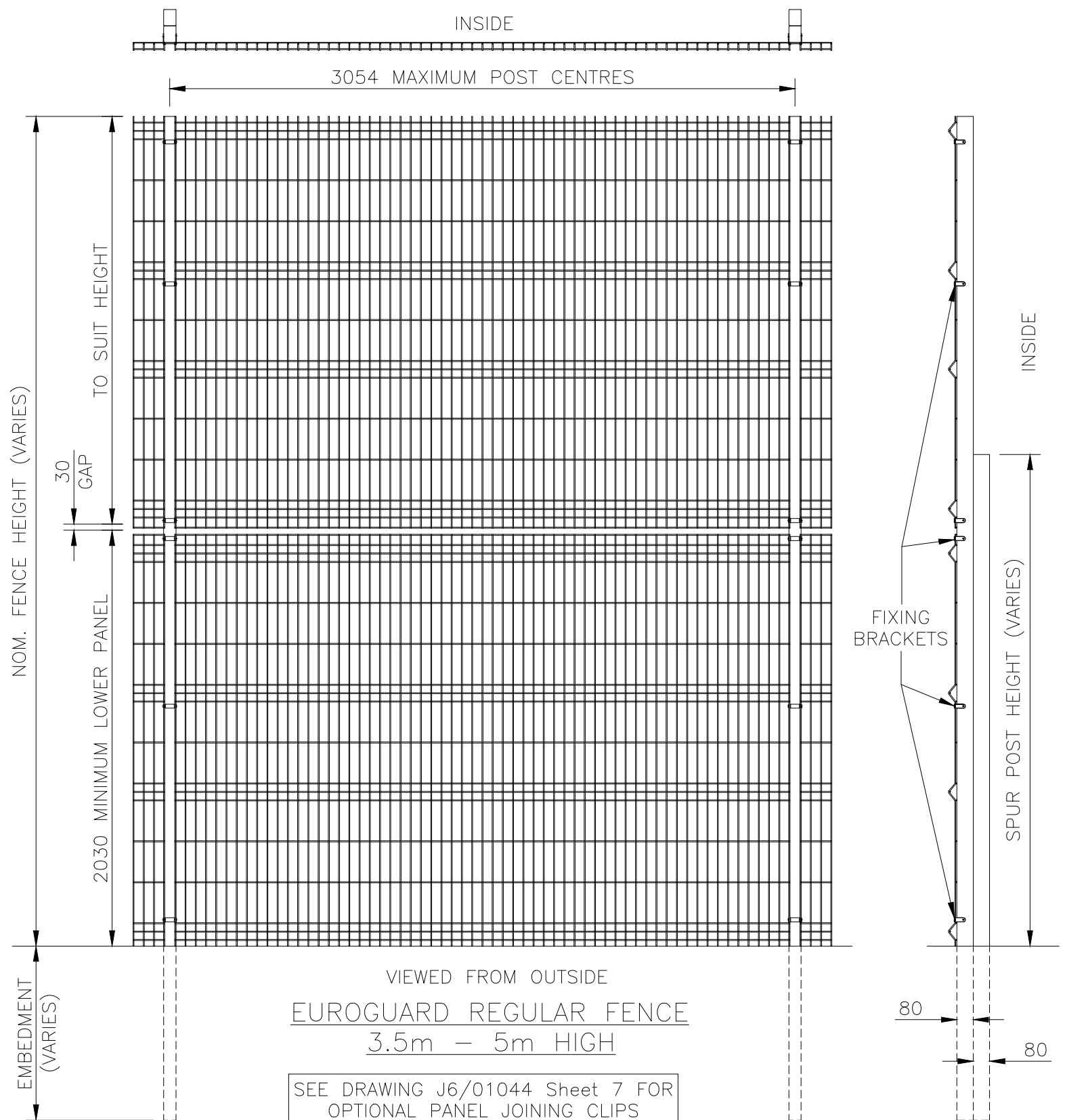
Materials.

FENCE POSTS - 80 x 60 RHS (TYPICAL)
(ASSESS TO SUIT SITE LOCATION)

MESH WIRES - Ø5mm

Finish.

GALVANISED TO BS EN ISO 1461
POWDER COATED: IF REQUIRED



Jacksons Fencing

Stowting Common, Near Ashford, Kent. TN25 6BN
Telephone: 01233 750393
Fax: 01233 750403
www.jacksons-fencing.co.uk
www.jacksons-security.co.uk

DO NOT SCALE - IF IN DOUBT ASK

- ② 21/02/2020 NEW BORDER + NOTES
- ① 26/02/11 50mm Wire Centres
- ① 28/09/06 Original Issue

Drawn S.Leeper
Date 28/09/2006
Checked WB
Size A3 Scale 1:25 U.O.S

TITLE SALES DRAWING FOR EUROGUARD REGULAR FENCING 3.5m - 5m HIGH
CUSTOMER
ACK No.
Drawing No. J6/01065 Sheet 2

This Drawing Is The Property Of H.S. Jackson & Son (Fencing) Ltd, And May Not Be Copied Or Reproduced In Any Way Without Prior Written Permission.